



Monitoring the operation of wells «E-KON» system

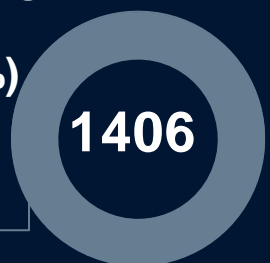
E-KON (Well Monitoring System)

STAGE I

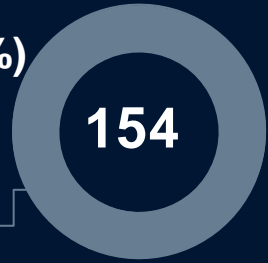
Installation of measuring instruments

- Pressure measuring instruments: 3024 (100%)
- Instruments for measuring temperature: 1597 (100%)
- Communication facilities: 86 (100%)

Wells
1406 (100%)
Digitized

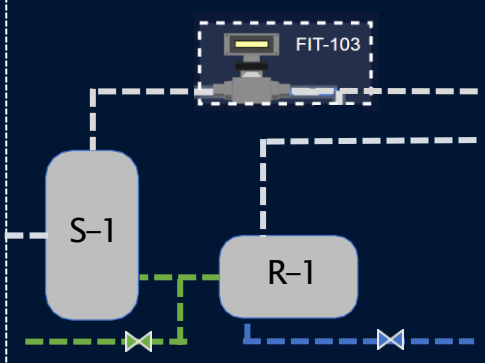


Gas collection point
154 (100%)
Digitized



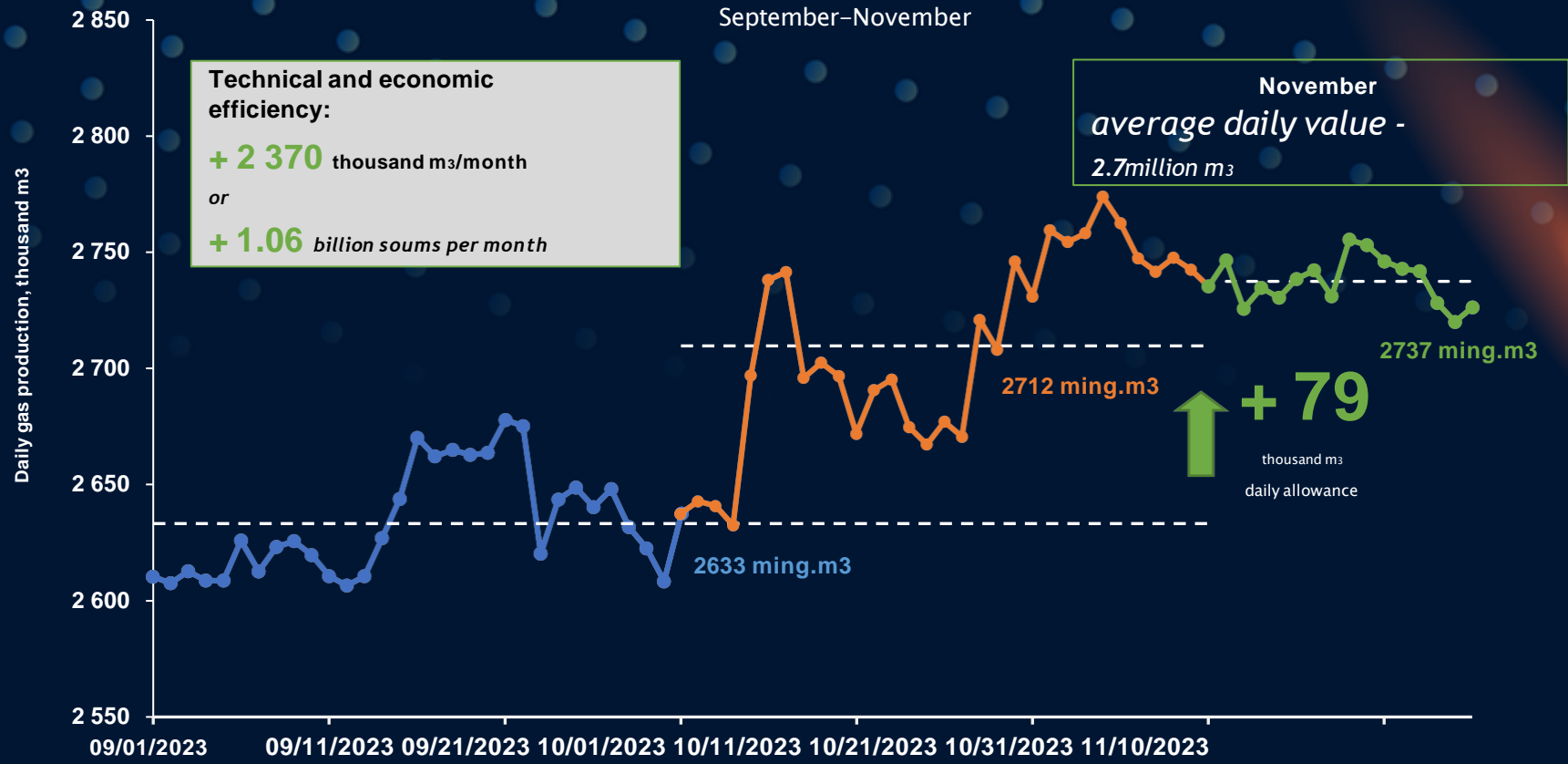
STAGE II

At all gas collection points, gas conditioning devices and gas flow measurement equipment will be installed.

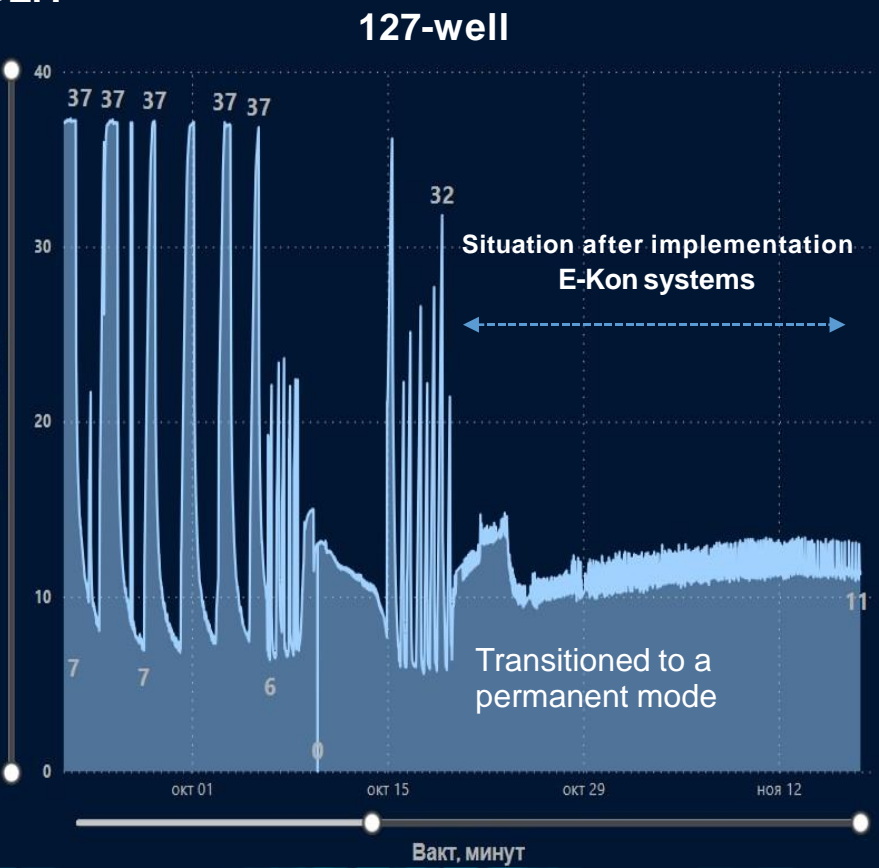
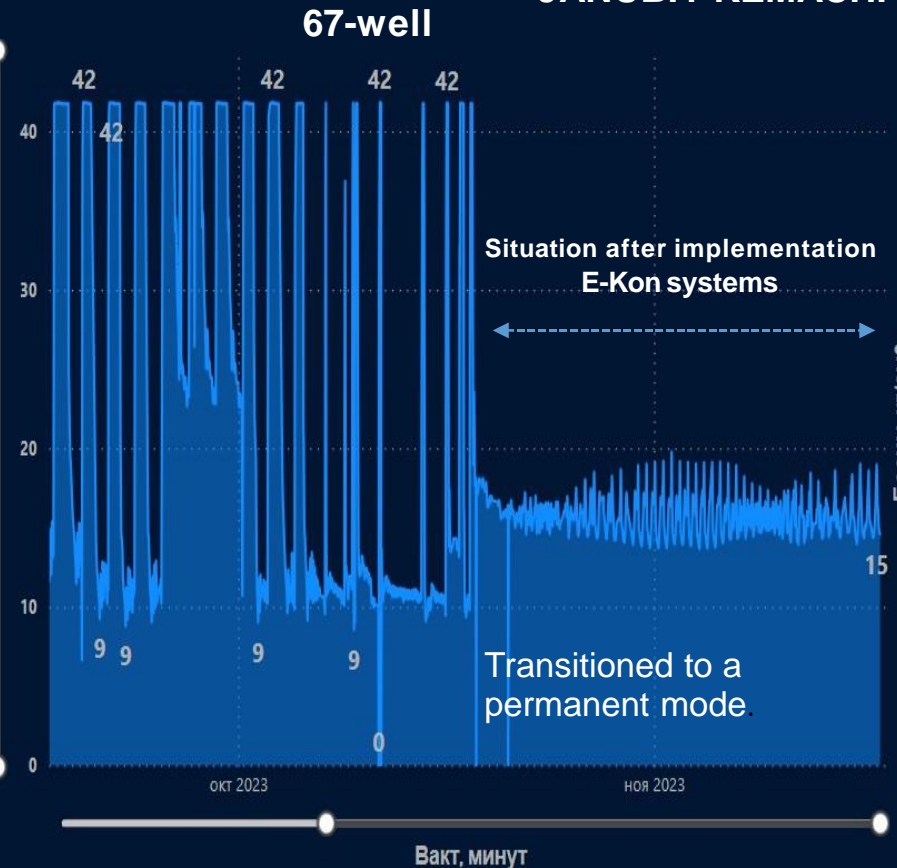


JANUBIY KEMACHI DEP.

deposit dynamics of gas production at September–November



JANUBIY KEMACHI DEP.



DENGIZKUL DEP.

dynamics of gas production at September–November

